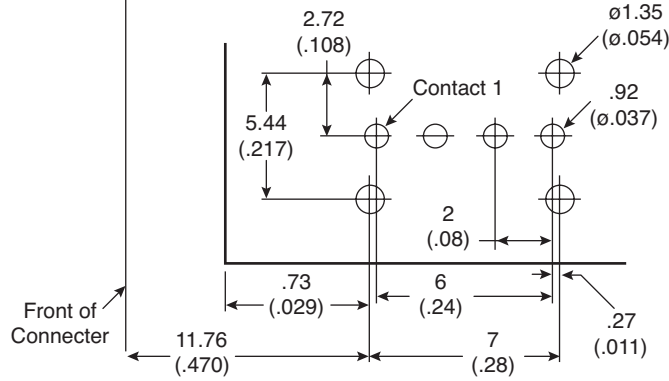
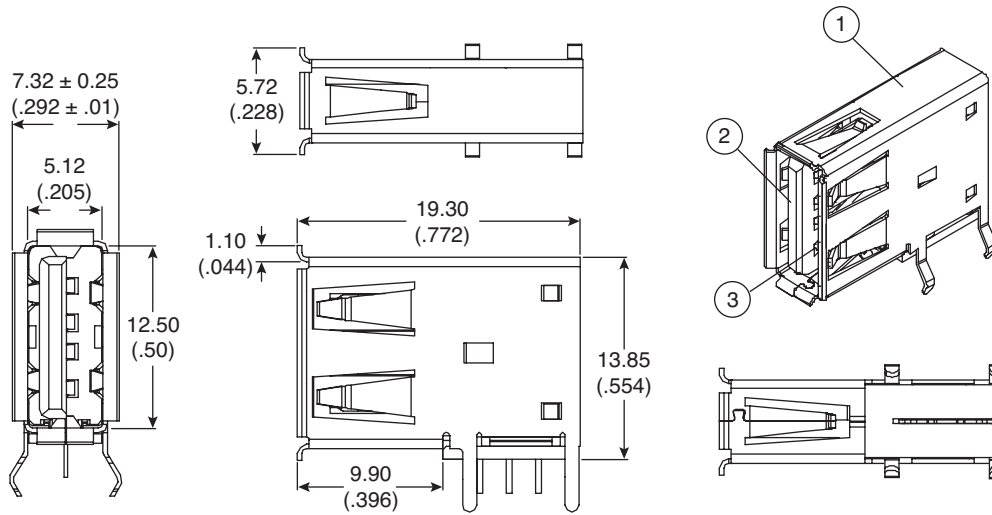


USB Connector Type A Receptacle, Up-right & Single Deck Thru-hole

154-UAR80

KOBICONN

USB Connector Type A Receptacle, Up-right & Single Deck Thru-hole



Dimensions: mm (In.)

Specifications	
Voltage:	30 VAC
Current:	1.5 Ampere max. per contact at 30°C
Temperature:	-55°C to +85°C
Plating of Contact:	2: 5μ" golding
	5: 30μ" golding
	6: 2μ" min Aμ/ 3Dμ" min.
Contact:	Copper alloy/ selective gold plating
Housing:	Thermoplastic, glass filled
Shell:	Copper alloy/ plated

Electrical Specifications	
Contact Resistance:	30 milliohms maximum initial
Insulation Resistance:	1,000 megohms minimum
Dielectric Withstanding Voltage:	500 VAC at see level

Date Last Revised: 10-14-05

Available from Mouser Electronics
1-800-346-6873
www.mouser.com

KC-300180

154-UAR80